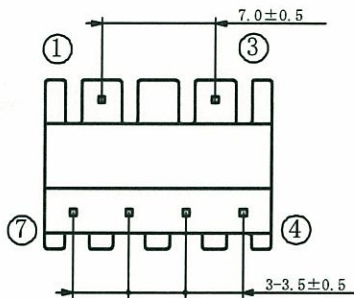
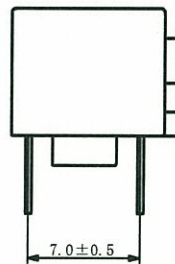
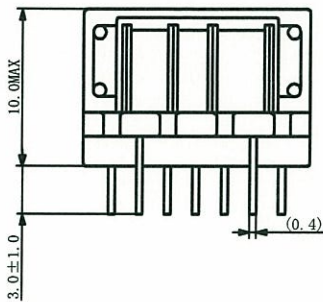
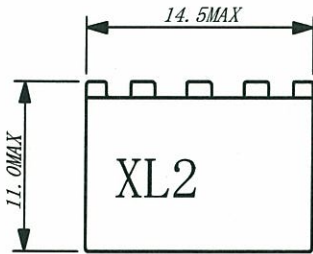


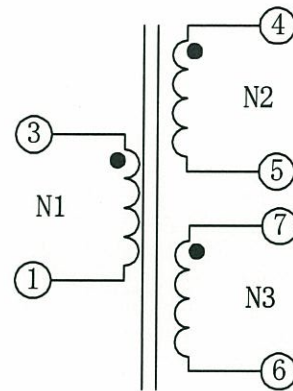


MECHANICAL DIMENSIONS



UNIT : mm

SCHEMATIC



Turns Ratio

$$N1 : N2 : N3 = 1 : 1 : 1$$

Creepage distances : 5.2mm

Working Voltage Urms = 240V

Overvoltage category : III

Pollution degree : II

Insulation material group : IIIb

ELECTRICAL SPECIFICATIONS

Parameter	Pins Under Test	Test Conditions	STD TOLERANCE
Breakdown Voltage	3 : 7,6	Vac 3000 Vrms 2sec	
Inductance	3 - 1	10kHz 0.1V	$\geq 12.0 \mu H$
Leakage Inductance	3 - 1 (4-5 Short)	1MHz 0.1V	$\leq 0.2 \mu H$
DC Resistance	3 - 1	T=25°C	$\leq 0.1 \Omega$